



ELECTROLUX OUTDOOR PRODUCTS

| PNC | Type/Prefix/nd | Model | Market |
|------------|-----------------------|--------------|---------------|
| 9638507-59 | 1 | XL500 | |

Number of Pages 1 of 3

Factory: FLM - Aycliffe

Publication Number: AP0410002

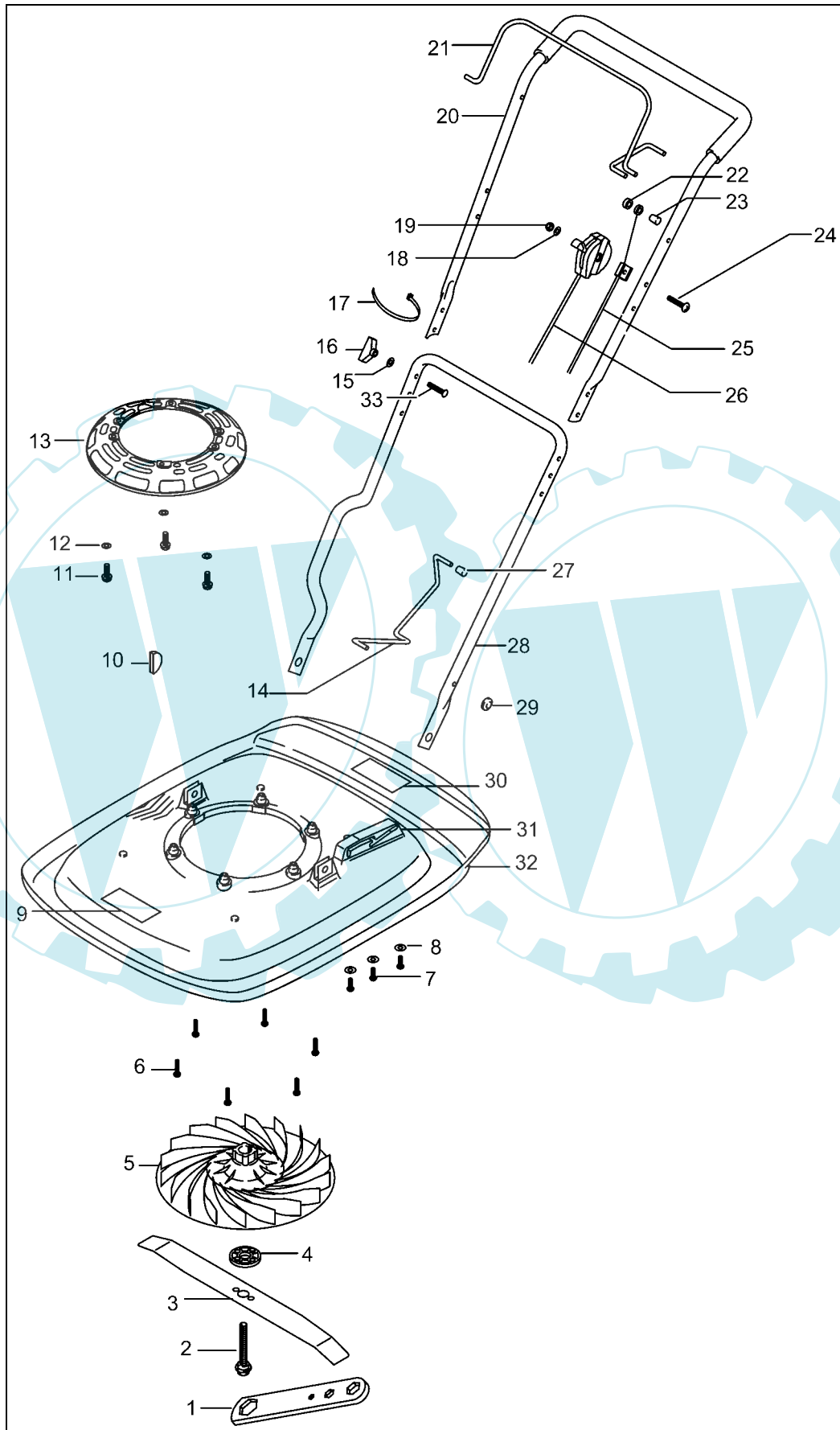
Publication Date: 25/10/04

Product Group: OM 72

Petrol Hover

Sub Group: 1072

| | | |
|-----------------|--------------|-----------------|
| Page No. 2 of 3 | 9638507-59 | XL500 |
| OM | Petrol Hover | Newton Aycliffe |



| | | |
|-----------------|--------------|-----------------|
| Page No. 3 of 3 | 9638507-59 | XI500 |
| OM | Petrol Hover | Newton Aycliffe |

| Item | Part Number | Description | Qty | Item | Part Number | Description | Qty |
|------|-------------|-----------------|-----|------|-------------|-------------|-----|
| 1 | 513010900 | Spanner | 1 | | | | |
| 2 | 514667704 | Blade Bolt | 1 | | | | |
| 3 | 511900400 | Blade 51cm | 1 | | | | |
| 4 | 513834000 | Blade Spacer | 1 | | | | |
| 5 | 511900601 | Impeller | 1 | | | | |
| 6 | 513055800 | Screw | 6 | | | | |
| 7 | 514919701 | Screw | 3 | | | | |
| 8 | 514931300 | M10 Washer | 3 | | | | |
| 9 | 513101500 | Label | 1 | | | | |
| 10 | 514005300 | Key Woodruff | 1 | | | | |
| 11 | 513088200 | Screw | 3 | | | | |
| 12 | 514961900 | Washer | 3 | | | | |
| 13 | 510683900 | Adaptor Plate | 1 | | | | |
| 14 | 514042300 | Spring Clip | 1 | | | | |
| 15 | 514026600 | Washer | 2 | | | | |
| 16 | 513767900 | Wing Nut | 2 | | | | |
| 17 | 513084200 | Tie Wrap | 3 | | | | |
| 18 | 514026600 | Washer | 1 | | | | |
| 19 | 514718000 | Nut | 1 | | | | |
| 20 | 511933400 | Handle Upper | 1 | | | | |
| 21 | 511801000 | Bail Arm | 1 | | | | |
| 22 | 514927500 | Spacer | 1 | | | | |
| 23 | 514647600 | Knob | 1 | | | | |
| 24 | 725238151 | Screw M6 | 1 | | | | |
| 25 | 513084600 | Cable Brake | 1 | | | | |
| 26 | 512811001 | Cable Choke | 1 | | | | |
| 27 | 514647600 | Knob | 1 | | | | |
| 28 | 511924800 | Handle Lower | 1 | | | | |
| 29 | 514668200 | Starlock Washer | 1 | | | | |
| 30 | 513093400 | Label Warning | 1 | | | | |
| 31 | 512621000 | Guide Slotted | 1 | | | | |
| 32 | 510620620 | Hood 47cm | | | | | |